



Closed Rack Unit
Technical Specification



Release B

June 09, 2021

This paper describes the Closed Rack Unit available for your SoftRadio systems.

The Closed Rack Unit holds the Network Interface, the radio unit, a PSU and fuses. It has connections for power, IP and for an antenna.

Please also refer to the web pages www.lse.se and www.lse.se/installations.

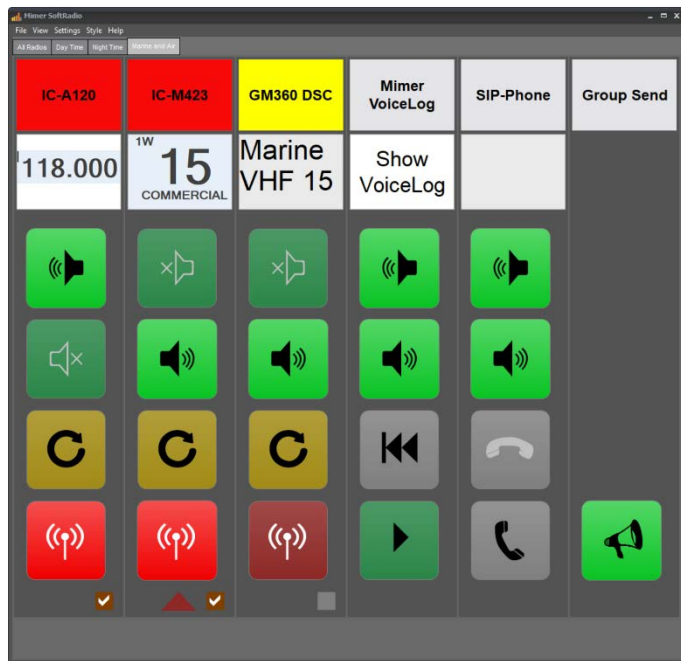
1 Table of Contents

1	Table of Contents.....	2
2	Mimer SoftRadio background.....	3
3	The Rack Unit.....	4
3.1	Network Interface	4
3.2	Radio Unit.....	4
3.3	Power Supply Unit.....	4
3.4	Fuses.....	4
4	Front Panel.....	5
4.1	Flat panel.....	5
4.2	Flush mount radio panel	5
5	Back Panel.....	6
5.1	Antenna connector.....	6
5.2	Power connection	6
6	Mechanical.....	7

2 Mimer SoftRadio background

The Mimer SoftRadio system consists of software that runs on Windows PC's. The software works together with one or more Network Interfaces that are connected to two-way radio units. One Network Interface is needed for each radio unit.

The purpose is to remotely control the two-way radio from the PC over a LAN, WAN or the Internet. In this way several operator PC's can share one radio and every operator can control several radios.



Example of SoftRadio operator GUI.

3 The Rack Unit

The closed rack unit is a standard 19" 3U box. The detailed mechanics are described further down.

3.1 Network Interface

Type of Network Interface is delivered depending on the radio type that will be installed in the rack unit.

Together with the Network Interface a cable kit is also installed to fit between the radio and the interface.

The network Interface and the cable kit is not included in the price of the rack unit.

3.2 Radio Unit

Most types of radios fit inside the rack unit. The radio can be delivered by LSE together with the rack unit, or it can be added by the installation company.

The radio is not included in the price of the rack unit.

3.3 Power Supply Unit

A power supply unit from Alfatronix, AD108 is included in the rack unit. This PSU will give 7,5A @ 13,6VDC, enough to supply both the radio and the network interface.

The rack unit can also be ordered without the PSU if it shall be installed where there already are DC power available.

3.4 Fuses

A fuse box with standard automotive blade fuses is placed next to the PSU inside the rack unit.



Rack unit shown without radio and top lid

4 Front Panel

The front panel can be delivered in two versions.

4.1 Flat panel

Standard is the flat panel with a connector for IP to the network interface. The radio is then hidden inside the rack unit.



4.2 Flush mount radio panel

For radios that there is a need to control from their front panel, from time to time, there is an alternative with a hole in the front panel so that the radio can be flush mounted. The radios control head will then be accessible for control.



5 Back Panel

The back side of the rack unit holds two connections.



5.1 Antenna connector

The antenna connector is a TNC female.

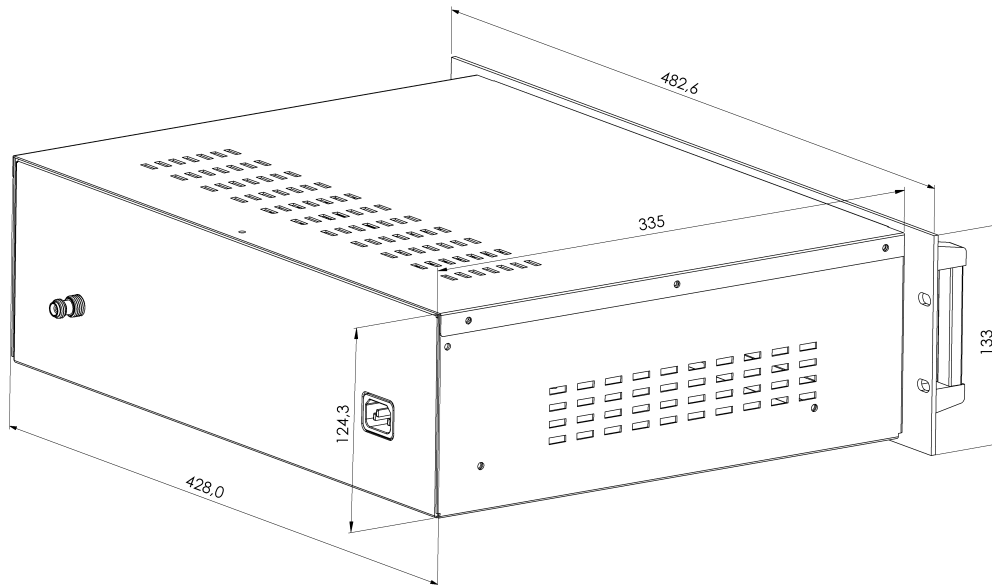
Output power etc. depends on the radio model installed inside.

5.2 Power connection

The PSU's power connector is accessible through a hole in the back panel. This is a standard IEC connector and "any" computer power cable will fit. A cable with standard European plug is delivered with the rack unit.

The PSU auto selects between 115VAC (85-135) and 230VAC (170-265), 47-440Hz.

6 Mechanical



Weight, without radio and radio bracket: Approximately 7,3Kg

Fits into a 3U slot in a standard 19" rack.



Proudly made in Sweden by

LS Elektronik AB

www.lse.se

mimer@softradio.se