

Ultra Compact 150 MHz Tx/Rx Combiner System 4-channel 2HU 19" single tray

DESCRIPTION

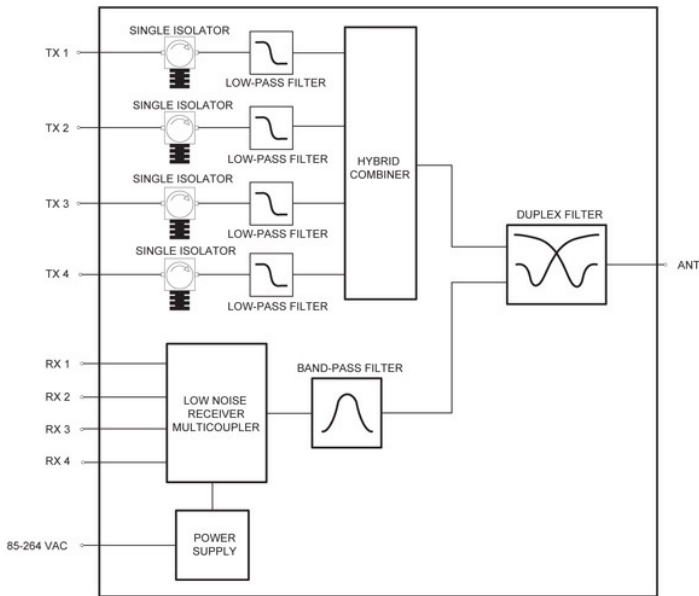
- An integrated single tray combining solution housing a 4-channel hybrid Tx hybridcombiner, duplex filter, active 4-channel Rx multicouplers and preselector.
 - Minimal 19" rack space required - only 2HU.
 - Built-in power supply 115/230 VAC.
 - Compatible with digital 6.25 kHz channel spacing.
 - Single Tx isolators fitted as standard (dual isolators available as option).
 - Please specify all Tx/Rx frequencies when ordering.
- Please Note:
Power cable is not included, must be ordered separately, see Accessories.



ORDERING

Type	Product No.	Description
PRO-HDAR150-4/I	210002582	
PRO-HDAR150-4/h	210002583	
Accessories		
Power Cable EU, with Ground	210002646	
Power Cable UK, with Ground	210002647	
Power Cable US, with Ground	210002648	

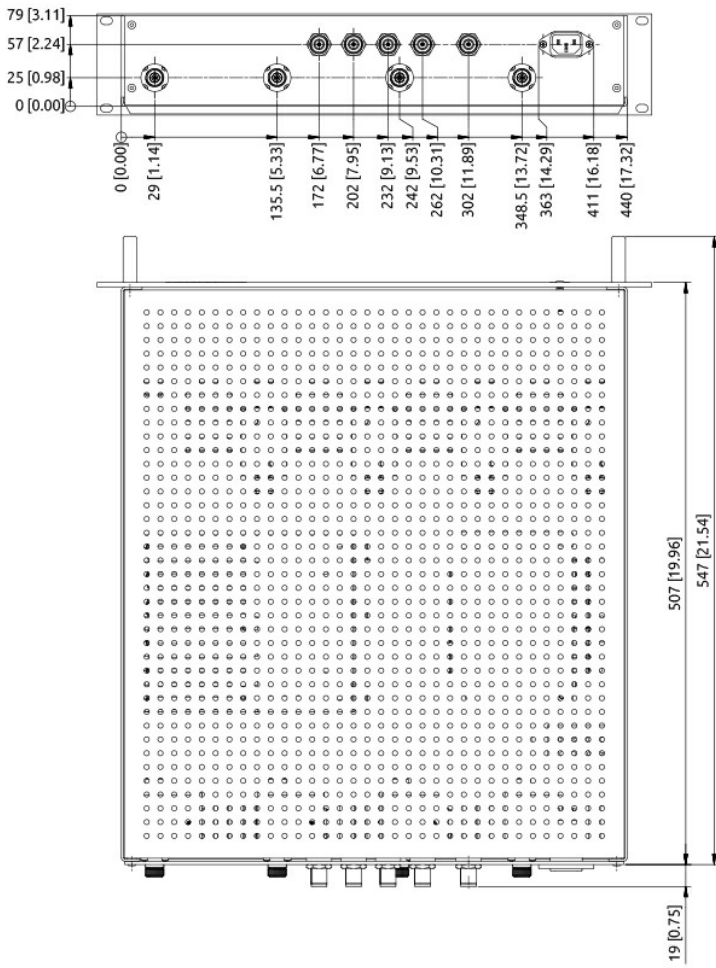
BLOCK DIAGRAM



SPECIFICATIONS

Electrical	
Model	PRO-HDAR150-4/...
Frequency	l: 136 - 156 MHz h: 152 - 175 MHz
Maximum Tx-Tx Spacing, Δ Tx	1.5 MHz
Minimum Tx-Rx Spacing	4 MHz
Insertion Loss Tx Path	< 8.0 dB
Impedance	50 Ω
Ant-Tx Isolation	> 40 dB @ 25° C
Gain	Rx PATH: 1 dB ±1 dB (factory set)
Rx-Rx Isolation	> 20 dB
Tx-Tx Isolation	> 70 dB
SWR	≤ 1.5:1
Maximum Input Power	50 W
Rx-Isolation on Tx-Frequency	Tx-Tx spacing < 0.5 MHz : > 80 dB Tx-Tx spacing > 0.5 MHz : > 60 dB
Tx-Isolation on Rx-Frequency	Rx-Rx spacing < 0.5 MHz : > 80 dB Rx-Rx spacing > 0.5 MHz : > 60 dB
LNA Noise Figure	< 3.5 dB
No. of Channels	4
Power Supply	
Voltage	85 - 264 VAC
Frequency	47 - 63 Hz
AC current (typ.)	0.35 A/115 VAC 0.25 A/230 VAC
Mechanical	
Connection(s)	N(f)
Dimensions	19" x 2HU - see drawing for depth of tray
Weight	Approx. 7.5 kg / 16.5 lb.
Environmental	
Operating Temperature Range	-30 to 60 °C

MOUNTING DETAILS



All dimensions are given in mm [in.]

EU DECLARATION OF CONFORMITY

Hereby Amphenol Procom declare that the product type PRO-HDAR150-4/... is in compliance with EU Directive 2014/53/EU.

The full text of the EU Declaration of Conformity is available at: <http://amphenolprocom.com/images/pdf-for-catalogues/Declaration-of-Conformity-PRO-HDAR-2HU.pdf>

